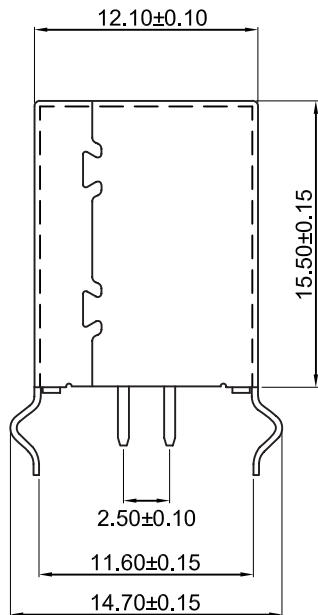
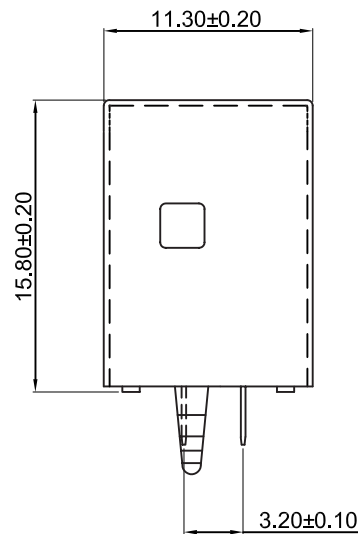
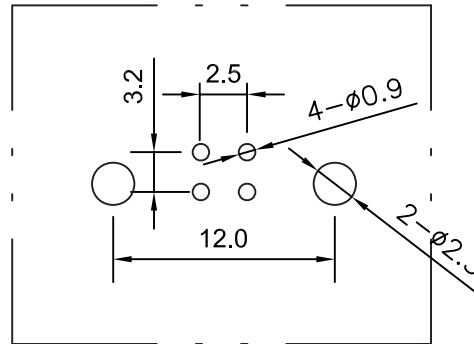
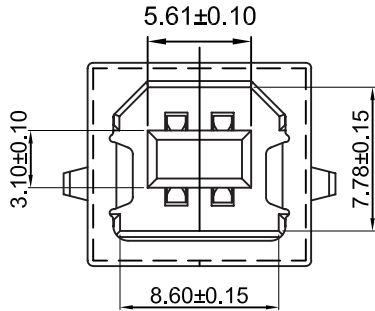


Recommended P.C.Board Hole Layout



Specifications

Material:

Contacts: Phosphor Bronze, Gold/Tin Plated

Shell: Brass, Nickel Plated

Insulator: PBT UL 94V-0 / PBT

Electrical:

Termination Resistance: 30m Ohms Max.

Insulation Resistance: 2000M Ohms Min. at 250V DC

Dielectric Withstanding Voltage: AC 750V/min. R.M.S.

Mechanical:

Mating Force: 35 Newtons Max.

Unmating Force: 11.5 Newtons Min.

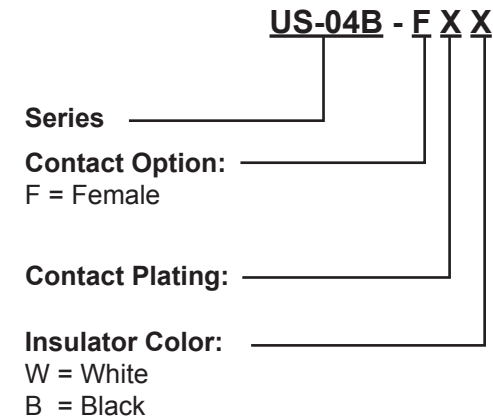
Environmental:

Temperature Range: -50°C to +105°C

Recommended PC Board Thickness: 1.57mm

General Tolerance: $\pm 0.1/0.004$

Part Numbering System



* Contact Plating Option	Full Gold Plating	Gold Plated On Contact Area Tin Plated on Solder Area	Full Tin Plating
G : Gold Flash G10: Gold 10u" G15: Gold 15u" G30: Gold 30u"	S: Gold Flash S10: Gold 10u" S15: Gold 15u" S30: Gold 30u"	T: Tin 100u"	

General Tolerance	
X. ± 0.50	X.° $\pm 5^\circ$
.X ± 0.20	.X° $\pm 2^\circ$
.XX ± 0.10	.XX° $\pm 1^\circ$
Units : mm	